

WASATCH WST

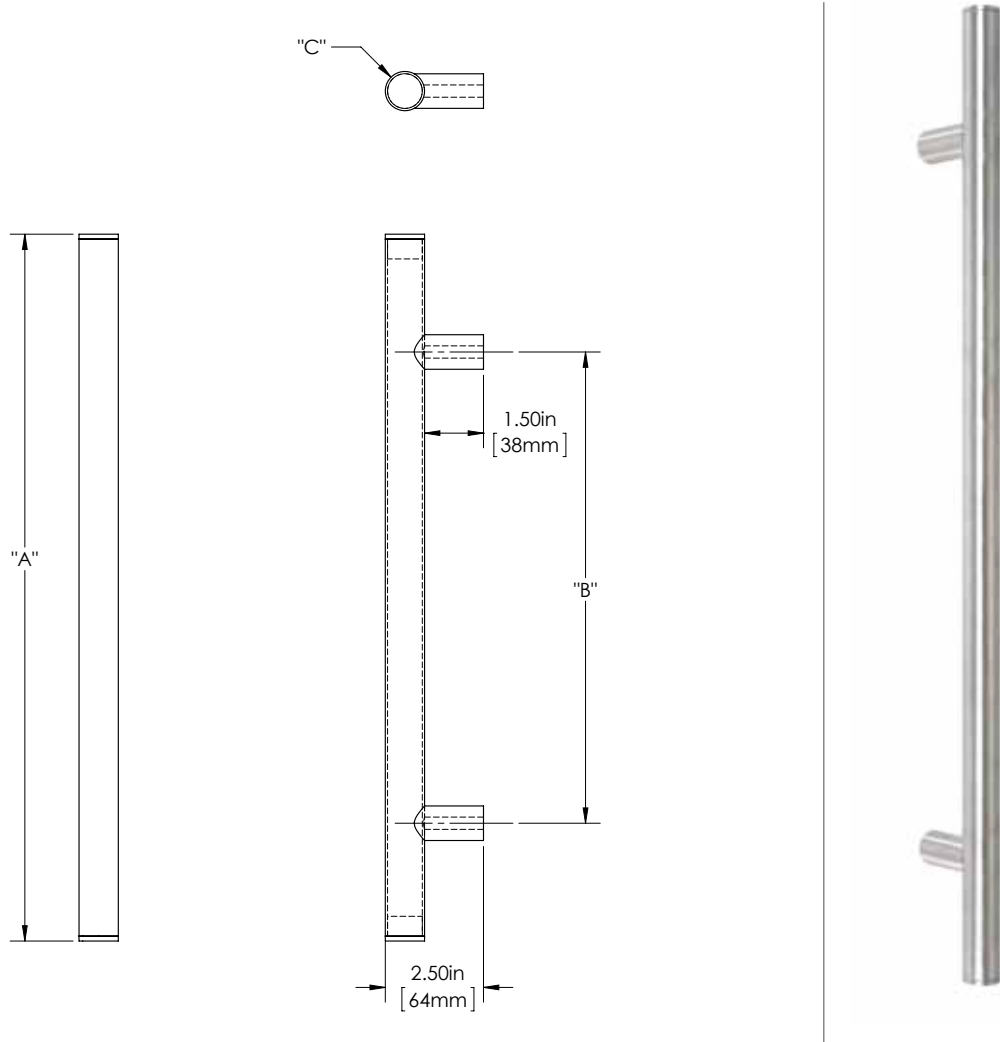
WASATCH 1

100 SERIES (MEDIUM APPLICATIONS)

GRIP: SMOOTH (SMT)

MOUNT: STRAIGHT (S)

MOUNT MATERIAL: STAINLESS STEEL 304 (S4)



Product Description:

1" Tubular Round Grip with End Caps and Straight Round Mounts in Stainless Steel

Material:

Stainless Steel

Finish Description:

US32D, BSS Brushed Stainless; US32, PSS Polished Stainless; US19, MBK Matte Black PC; US10B, LTH Lithonia PC

Custom sizes & finishes available upon request.

*Recommended 3rd additional bracket for longer length.

Overall Length "A"	Center To Center "B"	Overall Diameter "C"
12"(457mm)	8"(305mm)	1"(25mm)
24"(610mm)	18"(457mm)	1"(25mm)
36"(914mm)	24"(610mm)	1"(25mm)
48"(1219mm)	36"(914mm)	1"(25mm)
60"(1524mm)	48"(1219mm)	1"(25mm)
72"(1829mm)	60"(1524mm)	1"(25mm)
84"(2134mm)	66"(1676mm)	1"(25mm)
96"(2438mm)	72"(1829mm)	1"(25mm)
*108"(2743mm)	84"(2134mm)	1"(25mm)

WASATCH WST

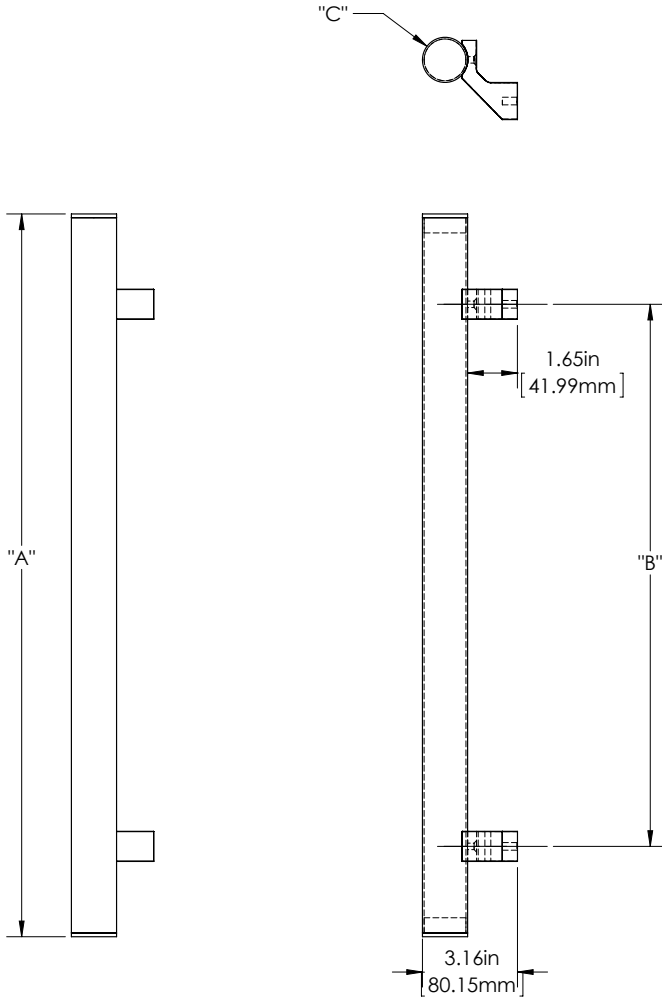
SELKIRK 1

150 SERIES (HEAVY APPLICATIONS)

GRIP: SMOOTH (SMT)

MOUNT: OFFSET (F)

MOUNT MATERIAL: BRASS (BR)



Product Description:

1 1/2" Tubular Round Grip and Offset Beveled Mounts in Brass

Material:

Brass

Finish Description:

US11, AGB Aged Brass; US5, ATB Antique Brass; US3, PLB Polished Brass; US4, SNB Satin Brass; US10B, ORB Oil Rubbed Bronze; US26, PLC Polished Chrome; US26D, SNC Satin Chrome; US14, PLN Polished Nickel; US15, SNN Satin Nickel; US19, MBK Matte Black PC; US10B, LTH Lithonia PC

Custom sizes & finishes available upon request.

*Recommended 3rd additional bracket for longer length.

Overall Length "A"	Center To Center "B"	Overall Diameter "C"
18"(457mm)	12"(305mm)	1 1/2"(38mm)
24"(610mm)	18"(457mm)	1 1/2"(38mm)
36"(914mm)	24"(610mm)	1 1/2"(38mm)
48"(1219mm)	36"(914mm)	1 1/2"(38mm)
60"(1524mm)	48"(1219mm)	1 1/2"(38mm)
72"(1829mm)	60"(1524mm)	1 1/2"(38mm)
84"(2134mm)	66"(1676mm)	1 1/2"(38mm)
96"(2438mm)	72"(1829mm)	1 1/2"(38mm)
108"(2743mm)	84"(2134mm)	1 1/2"(38mm)
*120"(3048mm)	96"(2438mm)	1 1/2"(38mm)

Dimensions are approximate and provided for reference purposes only

WASATCH WST

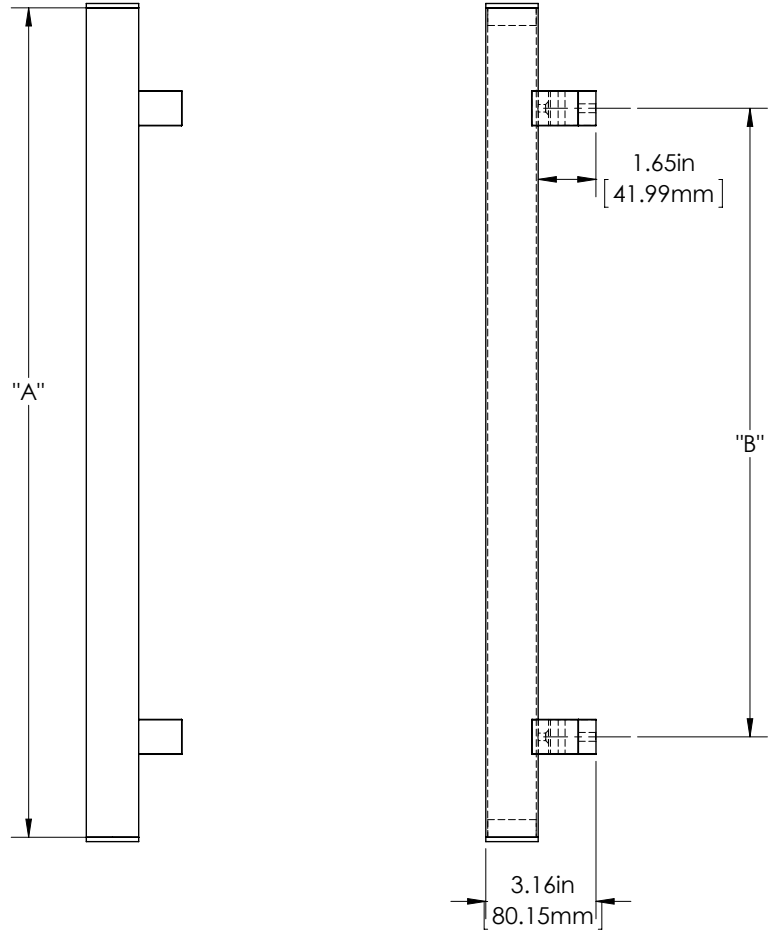
SELKIRK 2

150 SERIES (HEAVY APPLICATIONS)

GRIP: SMOOTH (SMT)

MOUNT: OFFSET (F)

MOUNT MATERIAL: STAINLESS STEEL 304 (S4)



Product Description:

1 1/2" Tubular Round Grip and Offset Beveled Mounts in Stainless Steel

Material:

Stainless Steel

Finish Description:

US32D, BSS Brushed Stainless; US32, PSS Polished Stainless; US19, MBK Matte Black PC; US10B, LTH Lithonia PC

Custom sizes & finishes available upon request.

*Recommended 3rd additional bracket for longer length.

Overall Length "A"	Center To Center "B"	Overall Diameter "C"
18"(457mm)	12"(305mm)	1 1/2"(38mm)
24"(610mm)	18"(457mm)	1 1/2"(38mm)
36"(914mm)	24"(610mm)	1 1/2"(38mm)
48"(1219mm)	36"(914mm)	1 1/2"(38mm)
60"(1524mm)	48"(1219mm)	1 1/2"(38mm)
72"(1829mm)	60"(1524mm)	1 1/2"(38mm)
84"(2134mm)	66"(1676mm)	1 1/2"(38mm)
96"(2438mm)	72"(1829mm)	1 1/2"(38mm)
108"(2743mm)	84"(2134mm)	1 1/2"(38mm)
*120"(3048mm)	96"(2438mm)	1 1/2"(38mm)

Dimensions are approximate and provided for reference purposes only

WASATCH WST

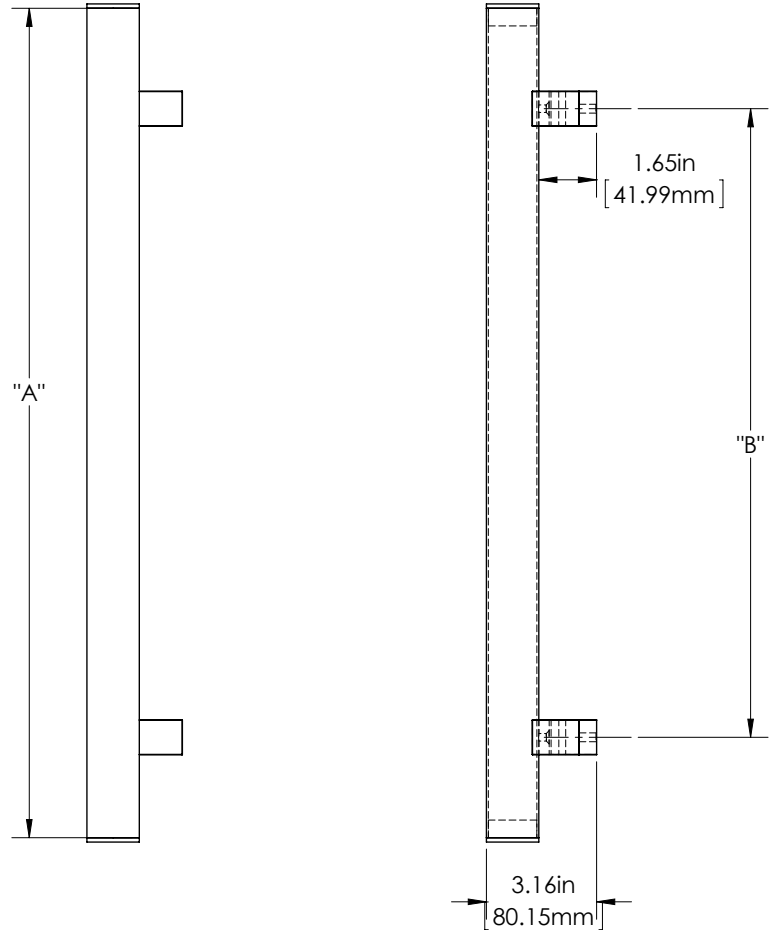
SELKIRK 2

100 SERIES (MEDIUM APPLICATIONS)

GRIP: SMOOTH (SMT)

MOUNT: OFFSET (F)

MOUNT MATERIAL: STAINLESS STEEL 304 (S4)



Product Description:

1" Tubular Round Grip and Offset Beveled Mounts in Stainless Steel

Material:

Stainless Steel

Finish Description:

US32D, BSS Brushed Stainless; US32, PSS Polished Stainless; US19, MBK Matte Black PC; US10B, LTH Lithonia PC

Custom sizes & finishes available upon request.

*Recommended 3rd additional bracket for longer length.

Overall Length "A"	Center To Center "B"	Overall Diameter "C"
18"(457mm)	12"(305mm)	1"(25mm)
24"(610mm)	18"(457mm)	1"(25mm)
36"(914mm)	24"(610mm)	1"(25mm)
48"(1219mm)	36"(914mm)	1"(25mm)
60"(1524mm)	48"(1219mm)	1"(25mm)
72"(1829mm)	60"(1524mm)	1"(25mm)
84"(2134mm)	66"(1676mm)	1"(25mm)
96"(2438mm)	72"(1829mm)	1"(25mm)
108"(2743mm)	84"(2134mm)	1"(25mm)
*120"(3048mm)	96"(2438mm)	1"(25mm)

Dimensions are approximate and provided for reference purposes only

WASATCH WST

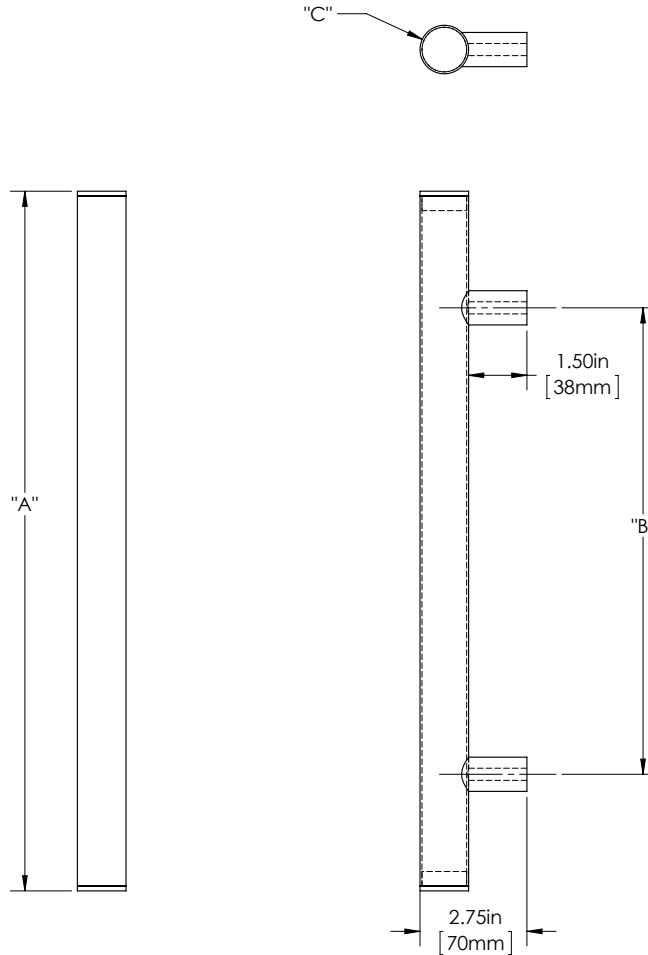
WASATCH 2

125 SERIES (HEAVY APPLICATIONS)

GRIP: SMOOTH (SMT)

MOUNT: STRAIGHT (S)

MOUNT MATERIAL: STAINLESS STEEL 304 (S4)



Product Description:

1 1/4" Tubular Round Grip with End Caps and Straight Round Mounts in Stainless Steel

Material:

Stainless Steel

Finish Description:

US32D, BSS Brushed Stainless; US32, PSS Polished Stainless; US19, MBK Matte Black; US10B, LTH Lithonia

Custom sizes & finishes available upon request.

*Recommended 3rd additional bracket for longer length.

Overall Length "A"	Center To Center "B"	Overall Diameter "C"
12"(457mm)	8"(305mm)	1 1/4"(32mm)
24"(610mm)	18"(457mm)	1 1/4"(32mm)
36"(914mm)	24"(610mm)	1 1/4"(32mm)
48"(1219mm)	36"(914mm)	1 1/4"(32mm)
60"(1524mm)	48"(1219mm)	1 1/4"(32mm)
72"(1829mm)	60"(1524mm)	1 1/4"(32mm)
84"(2134mm)	66"(1676mm)	1 1/4"(32mm)
96"(2438mm)	72"(1829mm)	1 1/4"(32mm)
*108"(2743mm)	84"(2134mm)	1 1/4"(32mm)

WASATCH WST

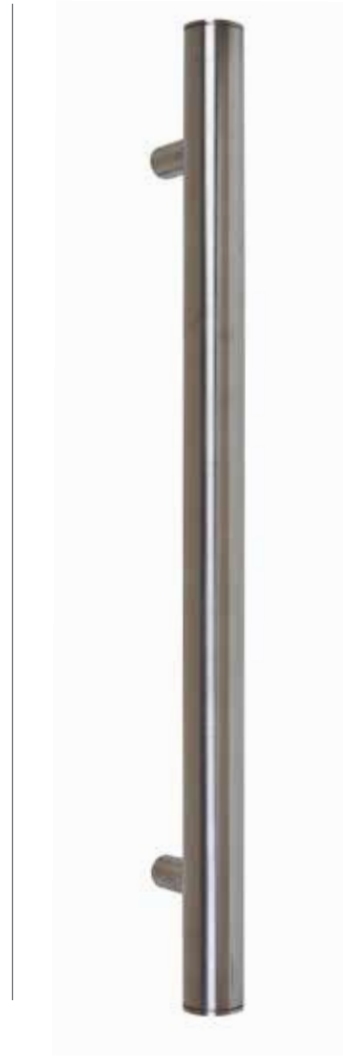
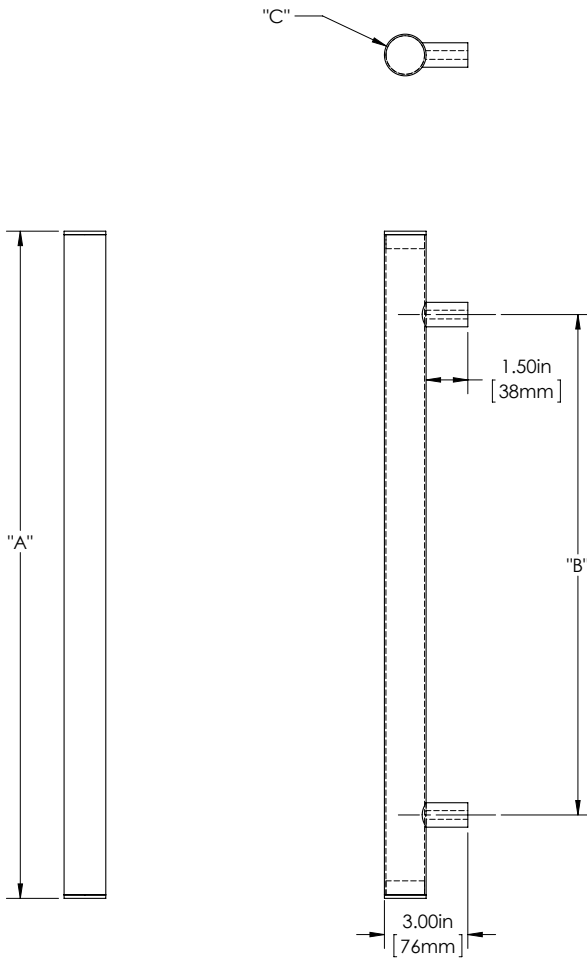
WASATCH 3

150 SERIES (HEAVY APPLICATIONS)

GRIP: SMOOTH (SMT)

MOUNT: STRAIGHT (S)

MOUNT MATERIAL: STAINLESS STEEL 304 (S4)



Product Description:

1 1/2" Tubular Round Grip with End Caps and Straight Round Mounts in Stainless Steel

Material:

Stainless Steel

Finish Description:

US32D, BSS Brushed Stainless; US32, PSS Polished Stainless; US19, MBK Matte Black; US10B, LTH Lithonia PC

Custom sizes & finishes available upon request.

*Recommended 3rd additional bracket for longer length.

Overall Length "A"	Center To Center "B"	Overall Diameter "C"
12"(457mm)	8"(203mm)	1 1/2"(38mm)
24"(610mm)	18"(457mm)	1 1/2"(38mm)
36"(914mm)	24"(610mm)	1 1/2"(38mm)
48"(1219mm)	36"(914mm)	1 1/2"(38mm)
60"(1524mm)	48"(1219mm)	1 1/2"(38mm)
72"(1829mm)	60"(1524mm)	1 1/2"(38mm)
84"(2134mm)	66"(1676mm)	1 1/2"(38mm)
96"(2438mm)	72"(1829mm)	1 1/2"(38mm)
108"(2743mm)	84"(2134mm)	1 1/2"(38mm)
*120"(3048mm)	96"(2438mm)	1 1/2"(38mm)

Dimensions are approximate and provided for reference purposes only

WASATCH WST

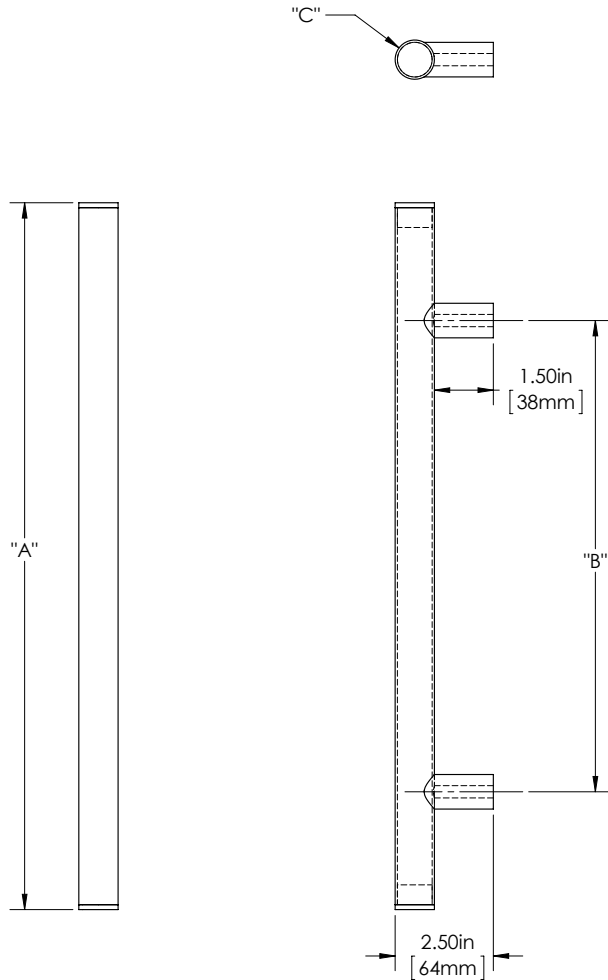
WASATCH 4

100 SERIES (MEDIUM APPLICATIONS)

GRIP: SMOOTH (SMT)

MOUNT: STRAIGHT (S)

MOUNT MATERIAL: BRASS (BR)



Product Description:

1" Tubular Round Grip with End Caps and Straight Round Mounts in Brass

Material:

Brass

Finish Description:

US11, AGB Aged Brass; US5, Antique Brass; US3, Polished Brass; US4, Satin Brass; US10B, Oil Rubbed Bronze; US26, Polished Chrome; US26D, Satin Chrome; Polished Nickel; US15, Satin Nickel; US19, MBK Matte Black PC; US10B, LTH Lithonia PC

Custom sizes & finishes available upon request.

*Recommended 3rd additional bracket for longer length.

Overall Length "A"	Center To Center "B"	Overall Diameter "C"
12"(305mm)	8"(203mm)	1"(25mm)
24"(610mm)	18"(457mm)	1"(25mm)
36"(914mm)	24"(610mm)	1"(25mm)
48"(1219mm)	36"(914mm)	1"(25mm)
60"(1524mm)	48"(1219mm)	1"(25mm)
72"(1829mm)	60"(1524mm)	1"(25mm)
84"(2134mm)	66"(1676mm)	1"(25mm)
96"(2438mm)	72"(1829mm)	1"(25mm)
*108"(2743mm)	84"(2134mm)	1"(25mm)

Dimensions are approximate and provided for reference purposes only

WASATCH WST

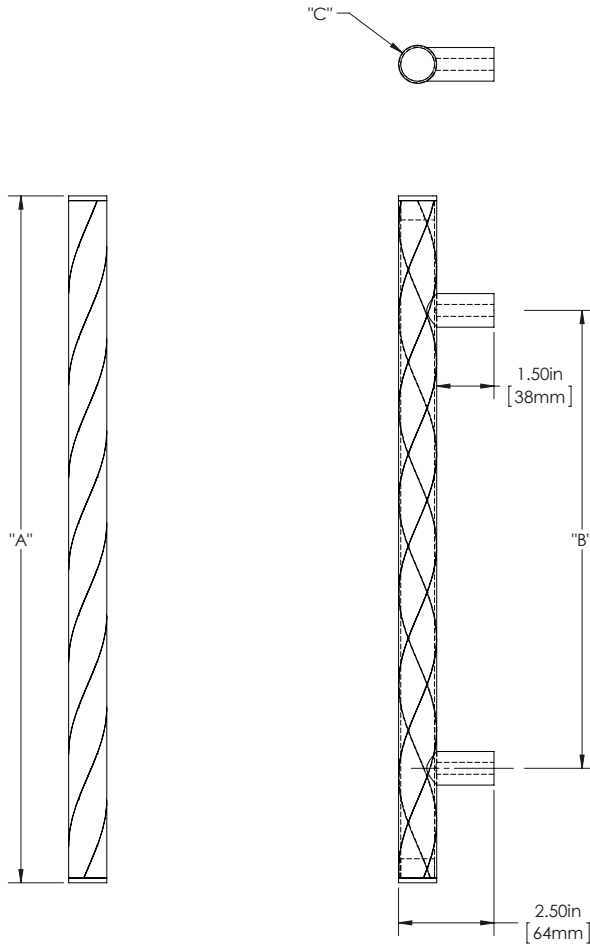
WASATCH 5

100 SERIES (MEDIUM APPLICATIONS)

GRIP: ROPED BRASS

MOUNT: STRAIGHT (S)

MOUNT MATERIAL: BRASS (S)



Product Description:

1" Tubular RoRound Grip with End Caps and Straight Round Mounts in Brass

Material:

Brass

Finish Description:

US11, AGB Aged Brass; US5, ATB Antique Brass; US3, PLB Polished Brass; US4, SNB Satin Brass; US10B, ORB Oil Rubbed Bronze; US26, PLC Polished Chrome; US26D, SNC Satin Chrome; PLN Polished Nickel; US15, SNN Satin Nickel; US19, MBK Matte Black PC; US10B, LTH Lithonia PC

Custom sizes & finishes available upon request.

*Recommended 3rd additional bracket for longer length.

Overall Length "A"	Center To Center "B"	Overall Diameter "C"
12"(305mm)	8"(203mm)	1"(25mm)
24"(610mm)	18"(457mm)	1"(25mm)
36"(914mm)	24"(610mm)	1"(25mm)
48"(1219mm)	36"(914mm)	1"(25mm)
60"(1524mm)	48"(1219mm)	1"(25mm)
72"(1829mm)	60"(1524mm)	1"(25mm)
84"(2134mm)	66"(1676mm)	1"(25mm)
96"(2438mm)	72"(1829mm)	1"(25mm)
*108"(2743mm)	84"(2134mm)	1"(25mm)

WASATCH WST

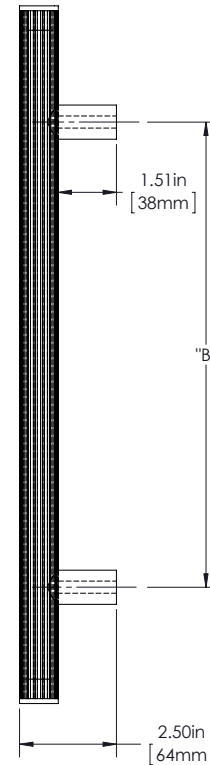
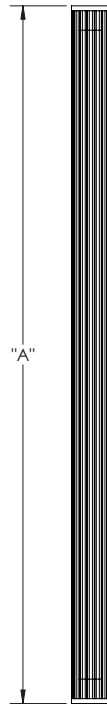
WASATCH 6

100 SERIES (MEDIUM APPLICATIONS)

GRIP: REEDED BRASS

MOUNT: STRAIGHT (S)

MOUNT MATERIAL: BRASS (BR)



Product Description:

1" Tubular Round Reeded Grip with End Caps and Straight Round Mounts in Brass

Material:

Brass

Finish Description:

US11, AGB Aged Brass; US5, ATB Antique Brass; US3, PLB Polished Brass; US4, SNN Satin Brass; US10B, ORB Oil Rubbed Bronze; US26, PLC Polished Chrome; US26D, SNC Satin Chrome; PLN Polished Nickel; US15, SNN Satin Nickel; US19, MBK Matte Black PC; US10B, LTH Lithonia PC

Custom sizes & finishes available upon request.

*Recommended 3rd additional bracket for longer length.

Overall Length "A"	Center To Center "B"	Overall Diameter "C"
12"(305mm)	8"(203mm)	1"(25mm)
24"(610mm)	18"(457mm)	1"(25mm)
36"(914mm)	24"(610mm)	1"(25mm)
48"(1219mm)	36"(914mm)	1"(25mm)
60"(1524mm)	48"(1219mm)	1"(25mm)
72"(1829mm)	60"(1524mm)	1"(25mm)
84"(2134mm)	66"(1676mm)	1"(25mm)
*96"(2438mm)	72"(1829mm)	1"(25mm)
*108"(2743mm)	84"(2134mm)	1"(25mm)

Dimensions are approximate and provided for reference purposes only